

Construction Specifications:

CLASSIC Series cabinets are an economical choice. 20 gauge cold rolled steel. These surface mounted and semi-recessed cabinets offer a clean appearance and come complete with breaker bar, safety locks, acrylic viewing panels and break glass decal.

- Heavy gauge galvanized steel
- Complete with cylinder lock keyed alike
- Baked white enamel finish
- Acrylic plastic viewing panel
- Breaker bar and chain
- Break glass decal
- Optional surface mount or semi-recessing frame

Project: _____

Specification Reference: _____

Model Number: _____ Quantity: _____

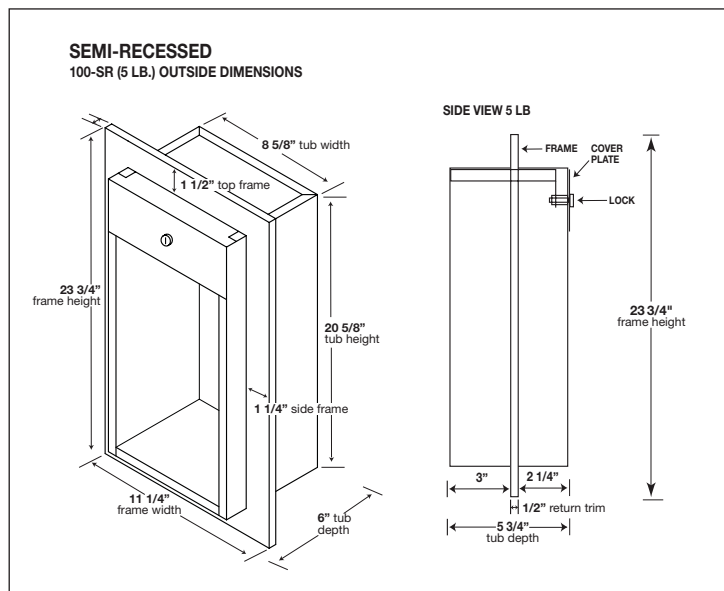
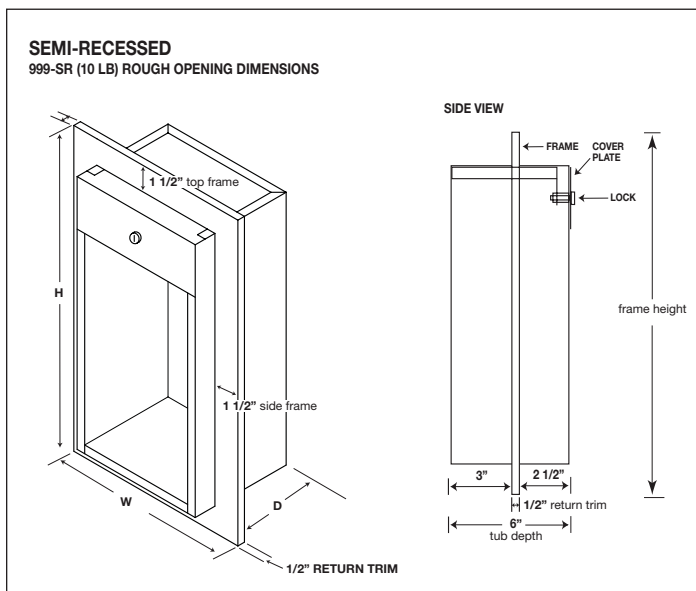
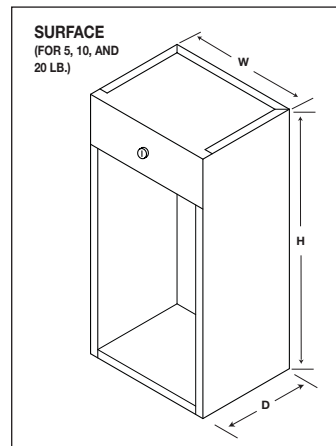
Architect: _____

Contractor: _____

Distributor: _____

Approved By: _____

Date: _____



✓	Mod. #	Trim Style	Interior Tub Size			Overall Outside Trim		Rough Opening			Accom. Ext Size
			W	H	D	W	H	W	H	D	Lbs.
Surface Mounted											
	100	-	8 3/4"	20"	5 3/4"	-	-	-	-	-	5
	999	-	10 1/2"	24"	6"	-	-	-	-	-	10
	104	-	13 3/4"	29 3/4"	8 3/4"	-	-	-	-	-	20
Semi-Recessed											
	100-SR	-	8 3/4"	20"	5 3/4"	11 3/4"	23 1/8"	9 1/4"	20 3/4"	3 1/2"	5
	999-SR	-	10 1/2"	24"	6"	13 3/4"	27 1/2"	10 3/4"	24 1/2"	3 1/2"	10