

Detail & Submittal Sheet

Construction Specifications:

Heavy Duty Outdoor Cabinet is made from 16 gauge galvanized steel in a baked red acrylic enamel over phosphate treated steel. It includes weather resistive gasketing, full length stainless steel piano hinge with 2 roller ball catches, safety lock, a sloped roof to facilitate drainage, white "Fire

Extinguisher" decal, "Pull Firmly to Open" decal, and stainless steel pull handle.

Project: _____

Specification Reference: _____

Model Number: _____ Quantity: _____

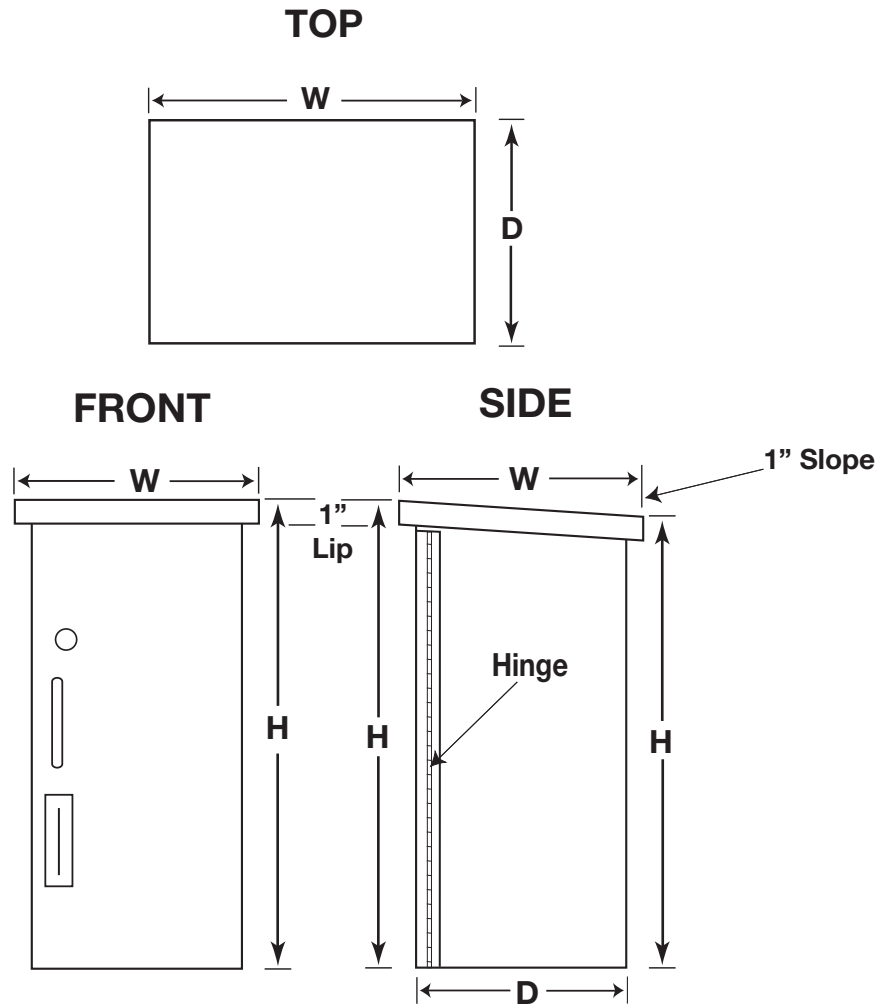
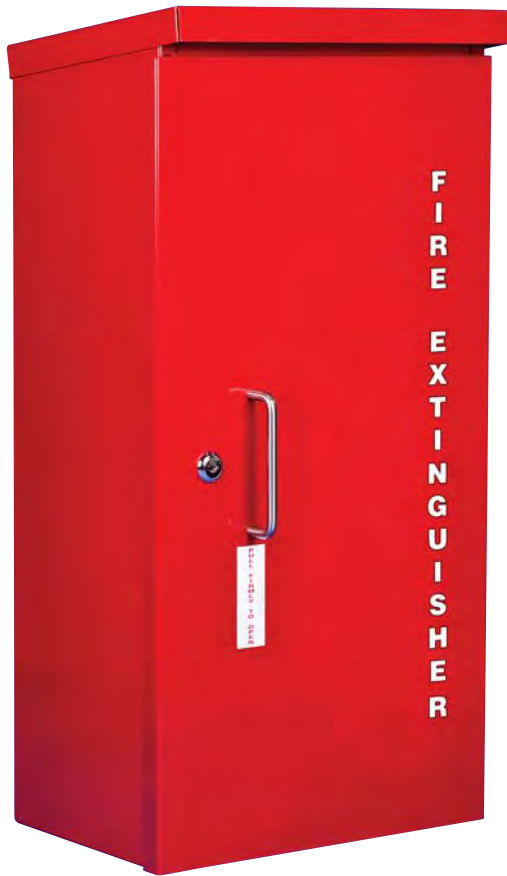
Architect: _____

Contractor: _____

Distributor: _____

Approved By: _____

Date: _____



✓	Mod. #	Trim Style	Interior Tub Size			Overall Outside Trim		Shipping Weight	Accom. Ext. Size
			W	H	D	W	H		
Heavy Duty Outdoor									
	HDOC-10	-	11 1/2"	24"	7 3/4"	12"	25"	30	5 & 10
	HDOC-20	-	14"	28"	9"	14"	28"	35	20
	HDOC-30	-	14"	33"	9"	14"	33"	40	30