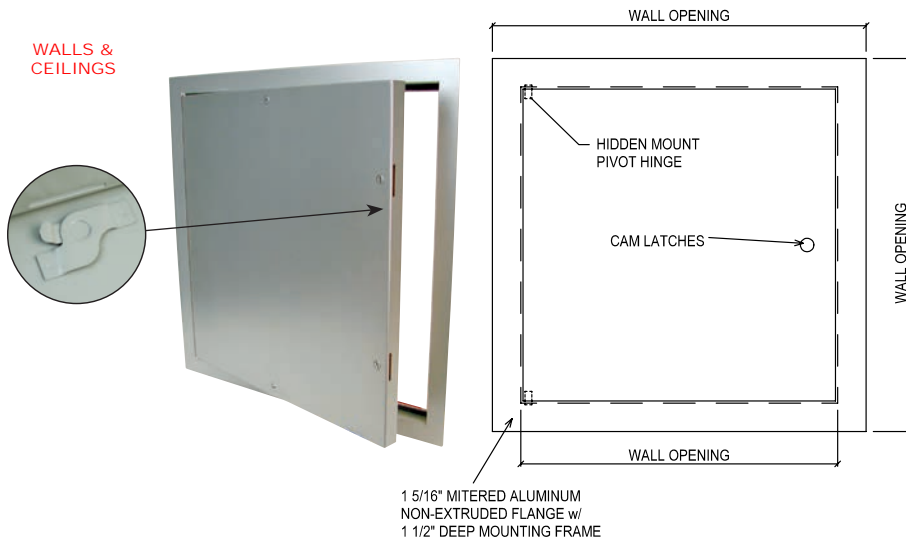


SUBMITTAL SHEET

FRONT ELEVATION



SPECIFICATIONS:

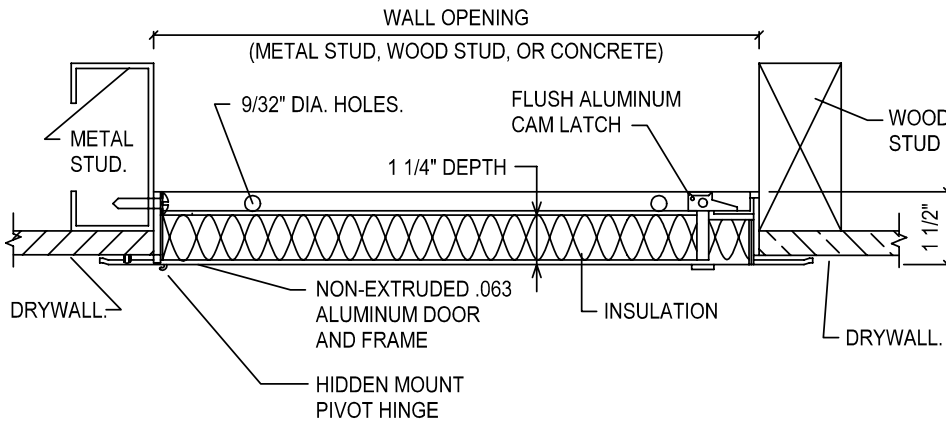
- Door & Trim: .063 Aluminum
- Finish: Mill finish
- Latch: Flush aluminum cam latch
- Hinge: Concealed continuous piano type
- Insulation: 1" TUFF-RTM polyisocyanurate insulation, with 6.5 R-Value at 75° F mean temperature
- Gasket: Neoprene gasket included on all 4 sides

OPTIONS (at additional cost)

- WB 151 Key Code Cylinder Lock w/2 keys

✓	Item No.	Door Size W x H	Wall Opening	Slam Catch	Ship Wt. Lbs.
	AL 1500	8 x 8	8 1/2 x 8 1/2	1	2
	AL 1500	10 x 10	10 1/2 x 10 1/2	3	3
	AL 1500	12 x 12	12 1/2 x 12 1/2	3	4
	AL 1500	14 x 14	14 1/2 x 14 1/2	3	5
	AL 1500	16 x 16	16 1/2 x 16 1/2	3	6
	AL 1500	18 x 18	18 1/2 x 18 1/2	3	7
	AL 1500	24 x 24	24 1/2 x 24 1/2	4	9
	AL 1500	24 x 36	24 1/2 x 36 1/2	5	12
	AL 1500	24 x 48	24 1/2 x 48 1/2	6	16
	AL 1500	30 x 30	30 1/2 x 30 1/2	6	12
	AL 1500	36 x 36	36 1/2 x 36 1/2	7	16

SECTION DETAIL



This lightweight, insulated, all aluminum access door is ideal for exterior applications, and also those specific interior applications where corrosion or moisture is a concern. Access to large openings in walls and ceilings is made easy. The non-extruded door frame has the same visual aesthetic design as the GP 100 Series door. Comes with gasket on all 4 sides. The aluminum door panel is insulated with 1" TUFF-RTM polyisocyanurate.

Project: _____ Date: _____
 Contractor: _____ Architect: _____
 Sizes: _____ Quantity: _____ App Initials: _____

Corp Off: 1330 Progress Drive • Front Royal, VA 22630 • Phone: 1-800-255-5515 • Fax: 1-800-822-5001 www.wbdoors.com



See us on



Like us on



facebook.com/wbdoors