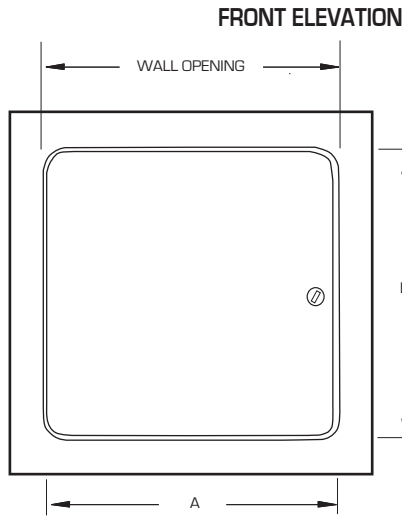
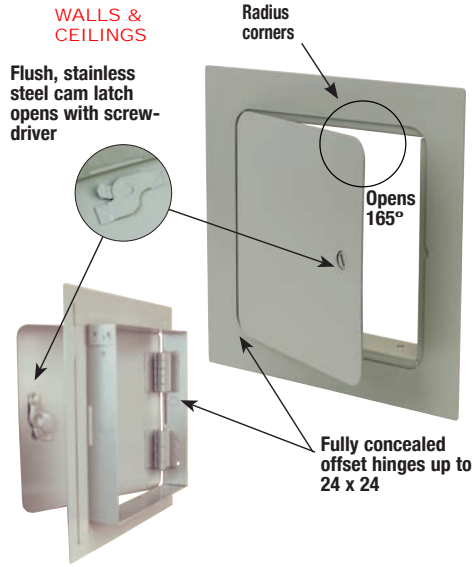
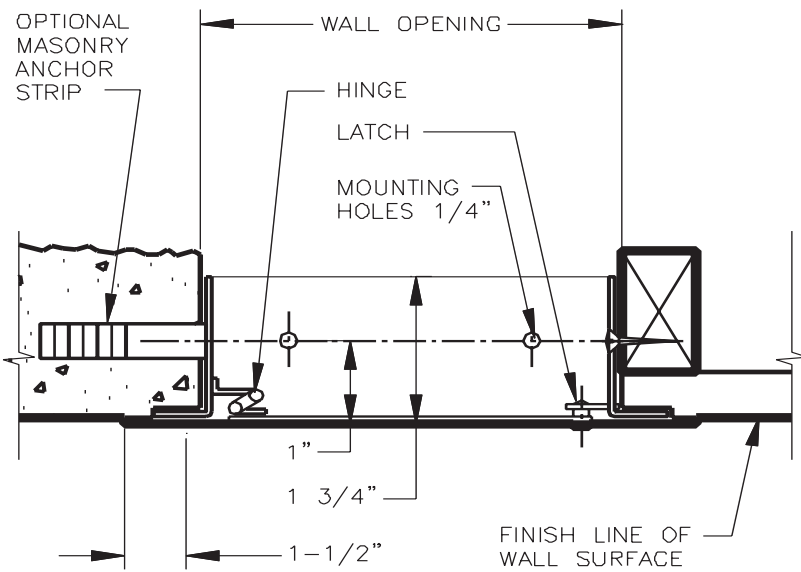


**BEST in Quality! GOOD in Price!**

**SUBMITTAL SHEET**



**SECTION DETAIL**



This precision-flush access door for wall and ceiling installation far surpasses other doors. Laser cut from one sheet of cold rolled steel, no corner mitering – aesthetically preferred by architects and building professionals.

**RELATED PRODUCTS**



**BETTER in Quality! BETTER in Price!**

**WB UAD 200 Series Utility Access Door**



**GOOD in Quality! BEST in Price!**

**WB Basic 300 Series Access Door**

Project: \_\_\_\_\_ Date: \_\_\_\_\_  
 Contractor: \_\_\_\_\_ Architect: \_\_\_\_\_  
 Sizes: \_\_\_\_\_ Quantity: \_\_\_\_\_ App Initials: \_\_\_\_\_

Corp Off: 1330 Progress Drive • Front Royal, VA 22630 • Phone: 1-800-255-5515 • Fax: 1-800-822-5001 [www.wbdoors.com](http://www.wbdoors.com)

**SPECIFICATIONS:**

- Door: 14 ga. steel with radius corners
- Trim: 18 ga. steel
- Finish: Primed grey baked enamel
- Latches: Flush, stainless steel cam latch
- Hinges: Fully-concealed hinge up to and including 24 x 24. Allows opening to 165°, **Over 24 x 24 is semi-concealed allowing 180°**

**ALSO AVAILABLE:** (visit our website for submittals)

- **WB GP 101** Series Draftstop Premium Access Door with draft resistive neoprene gasket on all 4 sides.
- **WB GP 102** Series Close Assist Premium Access Door with Ultra lock, interior slam catch, and self-assisted closing.

**OPTIONS (at additional cost)**

**Finishes:**

- Stainless Steel Type 304 No. 4 Satin Finish Brushed
- Stainless Steel Type 316 No. 4 Satin Finish Brushed

**Options:** (additional cost)

- WB 151 Key Code Cylinder locks-keyed alike with 2 keys per lock
- Primed white enamel
- Mortise Best Lock and locks by others
- Special sizes available
- \_\_\_\_\_

Item No.	Door Size W x H	Wall Opening	Cam Latches	Ship Wt. Lbs.
GP 100	6 x 6	6 1/4 x 6 1/4	1	4
GP 100	8 x 8	8 1/4 x 8 1/4	1	5
GP 100	8 x 12	8 1/4 x 12 1/4	1	6
GP 100	8 x 16	8 1/4 x 16 1/4	1	8
GP 100	10 x 10	10 1/4 x 10 1/4	3	6
GP 100	12 x 12	12 1/4 x 12 1/4	3	8
GP 100	12 x 16	12 1/4 x 16 1/4	3	10
GP 100	12 x 18	12 1/4 x 18 1/4	3	11
GP 100	12 x 24	12 1/4 x 24 1/4	4	15
GP 100	14 x 14	14 1/4 x 14 1/4	3	10
GP 100	16 x 16	16 1/4 x 16 1/4	3	13
GP 100	16 x 20	16 1/4 x 20 1/4	3	16
GP 100	16 x 24	16 1/4 x 24 1/4	4	17
GP 100	18 x 18	18 1/4 x 18 1/4	3	14
GP 100	18 x 24	18 1/4 x 24 1/4	4	18
GP 100	18 x 36	18 1/4 x 36 1/4	5	29
GP 100	20 x 20	20 1/4 x 20 1/4	3	17
GP 100	20 x 24	20 1/4 x 24 1/4	4	21
GP 100	20 x 30	20 1/4 x 30 1/4	4	23
GP 100	22 x 22	22 1/4 x 22 1/4	4	22
GP 100	22 x 24	22 1/4 x 24 1/4	4	23
GP 100	22 x 30	22 1/4 x 30 1/4	4	25
GP 100	22 x 36	22 1/4 x 36 1/4	5	32
GP 100	24 x 24	24 1/4 x 24 1/4	4	24
GP 100	24 x 30	24 1/4 x 30 1/4	4	27
GP 100	24 x 36	24 1/4 x 36 1/4	5	35
GP 100	24 x 48	24 1/4 x 48 1/4	6	43
GP 100	30 x 30	30 1/4 x 30 1/4	6	32
GP 100	30 x 36	30 1/4 x 36 1/4	6	39
GP 100	32 x 32	32 1/4 x 32 1/4	6	35
GP 100	36 x 36	36 1/4 x 36 1/4	7	44
GP 100	36 x 48	36 1/4 x 48 1/4	8	57
GP 100	48 x 48	48 1/4 x 48 1/4	12	70



Family Owned & Operated Since 1990  
 Selling only through distribution

