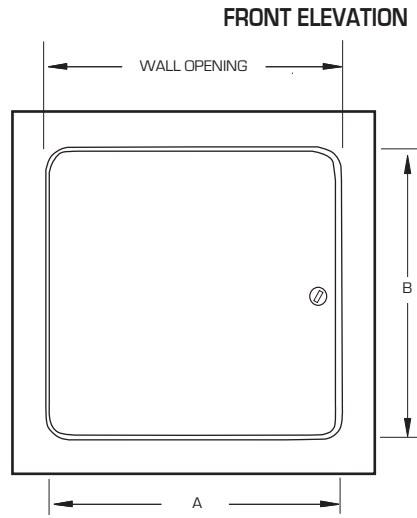
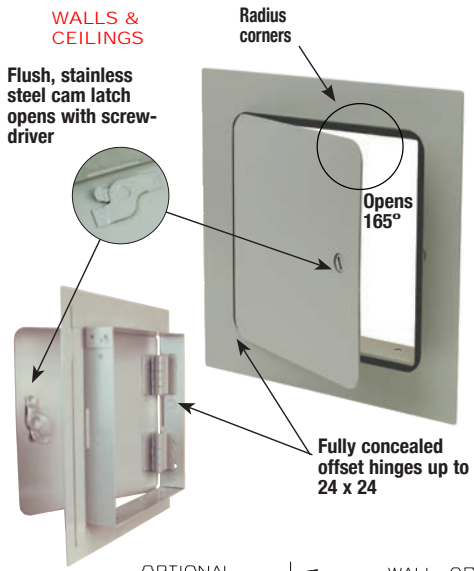


BEST in Quality! GOOD in Price!

SUBMITTAL SHEET

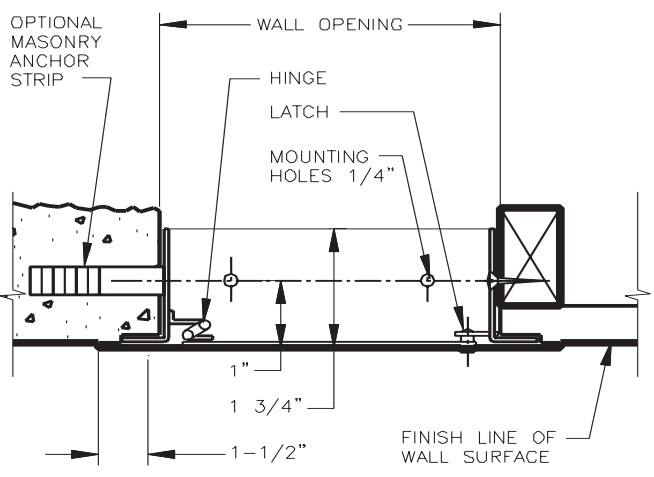


SPECIFICATIONS:

- Door: 14 ga. steel with radius corners
- Trim: 18 ga. steel
- Finish: Primed grey baked enamel
- Hinges: Fully-concealed hinge up to and including 24 x 24. Allows opening to 165°. **Over 24 x 24 is semi-concealed allowing 180°**
- Latches: Flush, stainless steel cam latch
- Gasket: Draft resistive neoprene gasket all 4 sides (Closed cell sponge, blend of Neoprene/EPDM/SBR. Meets ASTM D-1056: SCE 41, RE 41, 2A1; substrate UL 94HF-1 recognized)

OPTIONS (at additional cost)

- Finishes:**
- Stainless Steel Type 304 No. 4 Satin Finish Brushed
 - Stainless Steel Type 316 No. 4 Satin Finish Brushed
- Options: (additional cost)**
- WB 151 Key Code Cylinder locks-keyed alike with 2 keys
 - Primed white enamel
 - Mortise Best Lock and locks by others
 - Special sizes available
 - _____



This Premium precision-flush access door for wall and ceiling installation far surpasses other doors. Our WB GP 101 Series Premium is gasketed on all 4 sides for optimum draft resistive effect.

Item No.	Door Size W x H	Wall Opening	Cam Latch	Ship Wt. Lbs.
GP 101	6 x 6	6 1/4 x 6 1/4	1	4
GP 101	8 x 8	8 1/4 x 8 1/4	1	5
GP 101	8 x 12	8 1/4 x 12 1/4	1	6
GP 101	8 x 16	8 1/4 x 16 1/4	1	8
GP 101	10 x 10	10 1/4 x 10 1/4	3	6
GP 101	12 x 12	12 1/4 x 12 1/4	3	8
GP 101	12 x 16	12 1/4 x 16 1/4	3	10
GP 101	12 x 18	12 1/4 x 18 1/4	3	11
GP 101	12 x 24	12 1/4 x 24 1/4	4	15
GP 101	14 x 14	14 1/4 x 14 1/4	3	10
GP 101	16 x 16	16 1/4 x 16 1/4	3	13
GP 101	16 x 20	16 1/4 x 20 1/4	3	16
GP 101	16 x 24	16 1/4 x 24 1/4	4	17
GP 101	18 x 18	18 1/4 x 18 1/4	3	14
GP 101	18 x 24	18 1/4 x 24 1/4	4	18
GP 101	18 x 36	18 1/4 x 36 1/4	5	29
GP 101	20 x 20	20 1/4 x 20 1/4	3	17
GP 101	20 x 24	20 1/4 x 24 1/4	4	21
GP 101	20 x 30	20 1/4 x 30 1/4	4	23
GP 101	22 x 22	22 1/4 x 22 1/4	4	22
GP 101	22 x 24	22 1/4 x 24 1/4	4	23
GP 101	22 x 30	22 1/4 x 30 1/4	4	25
GP 101	22 x 36	22 1/4 x 36 1/4	5	32
GP 101	24 x 24	24 1/4 x 24 1/4	4	24
GP 101	24 x 30	24 1/4 x 30 1/4	4	27
GP 101	24 x 36	24 1/4 x 36 1/4	5	35
GP 101	24 x 48	24 1/4 x 48 1/4	6	43
GP 101	30 x 30	30 1/4 x 30 1/4	6	32
GP 101	30 x 36	30 1/4 x 36 1/4	6	39
GP 101	32 x 32	32 1/4 x 32 1/4	6	35
GP 101	36 x 36	36 1/4 x 36 1/4	7	44
GP 101	36 x 48	36 1/4 x 48 1/4	8	57
GP 101	48 x 48	48 1/4 x 48 1/4	12	70

RELATED PRODUCTS

BETTER in Quality! BETTER in Price!

WB UAD 200 Series Utility Access Door

GOOD in Quality! BEST in Price!

WB Basic 300 Series Access Door

Project: _____ Date: _____

Contractor: _____ Architect: _____

Sizes: _____ Quantity: _____ App Initials: _____

Corp Off: 1330 Progress Drive • Front Royal, VA 22630 • Phone: 1-800-255-5515 • Fax: 1-800-822-5001 www.wbdoors.com