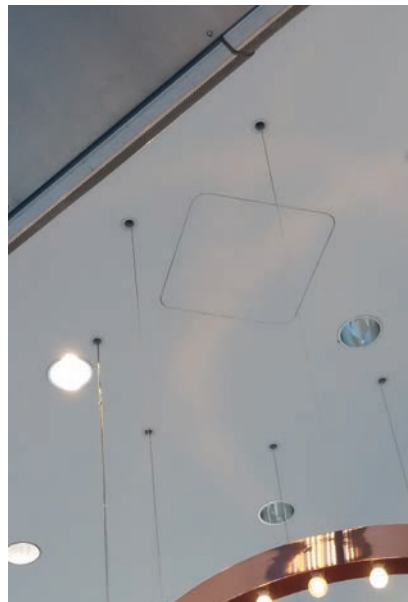
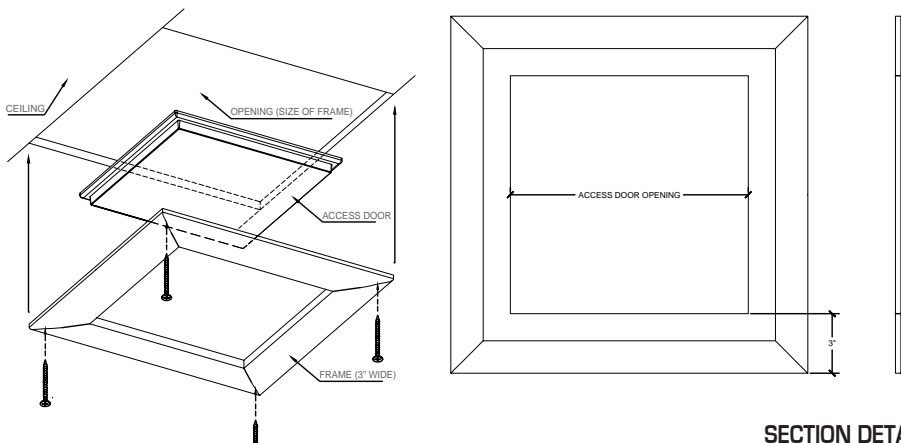


SUBMITTAL SHEET

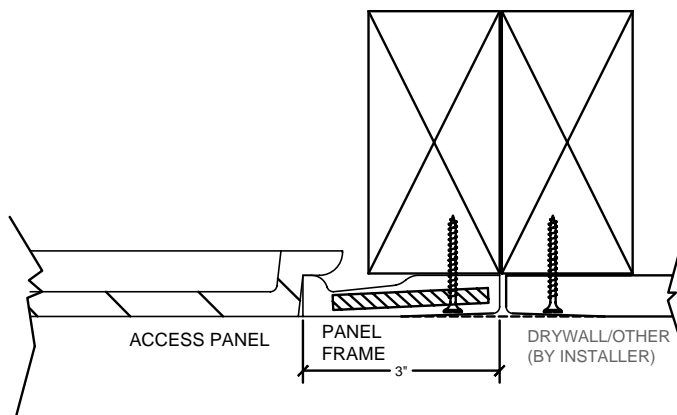
CEILINGS ONLY



FRONT ELEVATION



SECTION DETAIL



SPECIFICATIONS:

The GY 3000 serves both functionality along with aesthetically pleasing and innovative design.

Standard panels are push out type. hinges and latches can be attached by intaller,

Door & Trim: 5/8" lightweight Gypsum, drop in door. Panels are defined by the opening size, rough opening dimensions are an additional 6" added to the opening size. (see elevation drawing)

Finish: Unpainted natural Gypsum

Physical Properties: 1/8" to 3/16" shell thickness, Fastener test pull out (wood studs: 525 lbs. avg. and metal studs: 215 lbs. avg.). Fasteners push thru test: 350 lbs avg. Fuel Contribution (ASTM E84-80):0. Flame spread (ASTM E84-80): 0, Combustion (ASTM E84-80): non-combustible. Non-rated.

Ceiling Installation: Access panels installed with standard supplies; screws are #6 buglehead, and joints use standard tape and joint compound. The panel has an edge thickness to accomodate 5/8" drywall, therefore, shimming may be required if adjacent material is not 5/8" drywall. Substrate material is determined by the job-site. The panel does not require framing, but can be connected to adjacent drywall using blocks or studs.

OPTIONS (at additional cost)

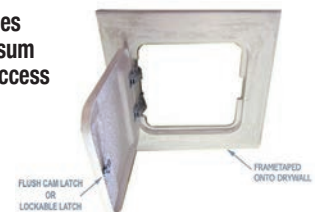
- Hinged [GY 3100, visit our website for sizes and submittals]

✓	Item No.	Door Opening	Rough Opening	Ship Wt. Lbs.
	GY 3000	9 x 9	15 x 15	2.5
	GY 3000	12 x 12	18 x 18	5
	GY 3000	16 x 16	22 x 22	8.5
	GY 3000	18 x 18	24 x 24	10
	GY 3000	24 x 24	30 x 30	15
	GY 3000	24 x 36	30 x 42	22
	GY 3000	36 x 36	42 x 42	31

Special sizes are available upon request.

RELATED PRODUCTS

WB GY 3100 Series Lightweight Gypsum Hinged Ceiling Access Panel



Project: _____ Date: _____
 Contractor: _____ Architect: _____
 Sizes: _____ Quantity: _____ App Initials: _____

Corp Off: 1330 Progress Drive • Front Royal, VA 22630 • Phone: 1-800-255-5515 • Fax: 1-800-822-5001 www.wbdoors.com



Family Owned & Operated
Since 1990
Selling only through distribution

See us on



Like us on



facebook.com/wbdoors