

SUBMITTAL SHEET

**Model CAD 1400
w/Cam Latches**



**Model HAD 1410
w/Hinge**

SPECIFICATIONS:

Door & Trim: 26 gauge galvanized steel

Finish: Mill finish

Latch: Cam latches; hinged doors over 14" x 14" have 3 cam latches, double cam doors over 14" x 14" have 4 cam latches (one on each of 4 sides)

Hinge: HAD 1410: Continuous steel hinge.

CAD 1400: No hinge

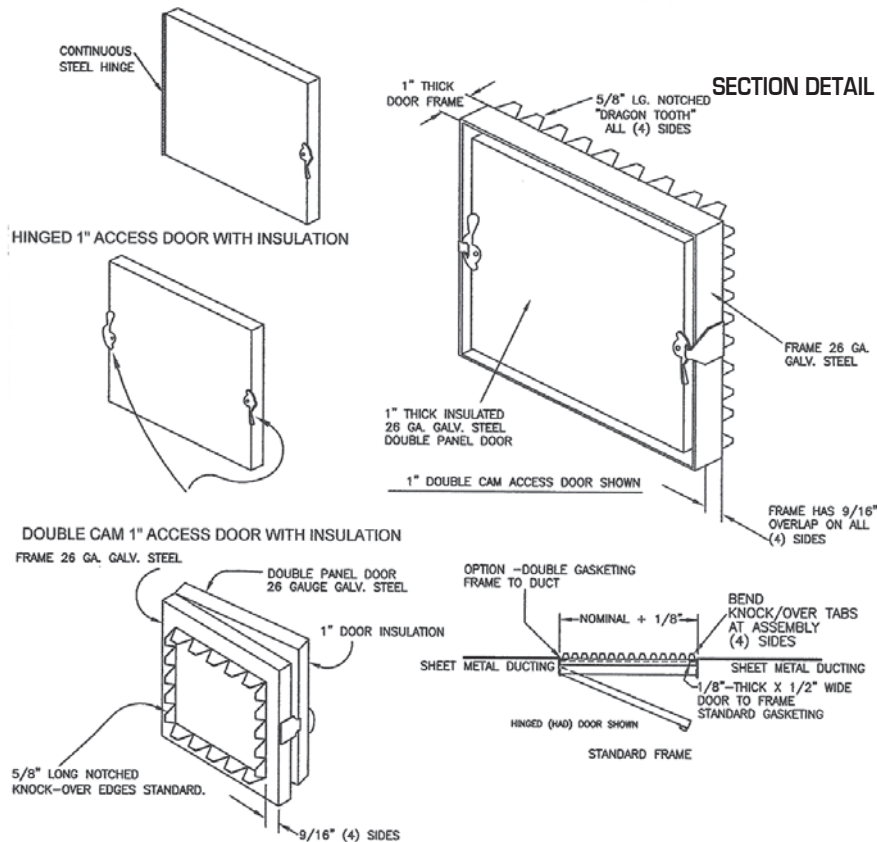
Insulation: 1" insulation

Gasket: 1/8" thick x 1/2" wide door-to-frame gasket

CAD 1400 Double Cam Duct Door

✓	Item No.	Door Size W x H	Frame Neck O.D.	Cams ADC-D	Shipping Wt Lbs
	CAD 1400	6 x 6	4 7/8 x 4 7/8	2	1
	CAD 1400	8 x 8	6 7/8 x 6 7/8	2	2
	CAD 1400	10 x 10	8 7/8 x 8 7/8	2	3
	CAD 1400	12 x 12	10 7/8 x 10 7/8	2	4
	CAD 1400	14 x 14	12 7/8 x 12 7/8	2	5
	CAD 1400	16 x 16	14 7/8 x 14 7/8	4	6
	CAD 1400	18 x 18	16 7/8 x 16 7/8	4	7
	CAD 1400	20 x 20	18 7/8 x 18 7/8	4	9
	CAD 1400	24 x 24	22 7/8 x 22 7/8	4	12

SECTION DETAIL



HAD 1410 Hinged Duct Doors

✓	Item No.	Door Size W x H	Frame Neck O.D.	Shipping Wt Lbs
	HAD 1410	6 x 6	4 7/8 x 4 7/8	1
	HAD 1410	8 x 8	6 7/8 x 6 7/8	2
	HAD 1410	10 x 10	8 7/8 x 8 7/8	3
	HAD 1410	12 x 12	10 7/8 x 10 7/8	4
	HAD 1410	14 x 14	12 7/8 x 12 7/8	5
	HAD 1410	16 x 16	14 7/8 x 14 7/8	6
	HAD 1410	18 x 18	16 7/8 x 16 7/8	7
	HAD 1410	20 x 20	18 7/8 x 18 7/8	9
	HAD 1410	24 x 24	22 7/8 x 22 7/8	12

Project: _____ Date: _____
 Contractor: _____ Architect: _____
 Sizes: _____ Quantity: _____ App Initials: _____

Corp Off: 1330 Progress Drive • Front Royal, VA 22630 • Phone: 1-800-255-5515 • Fax: 1-800-822-5001 www.wbdoors.com