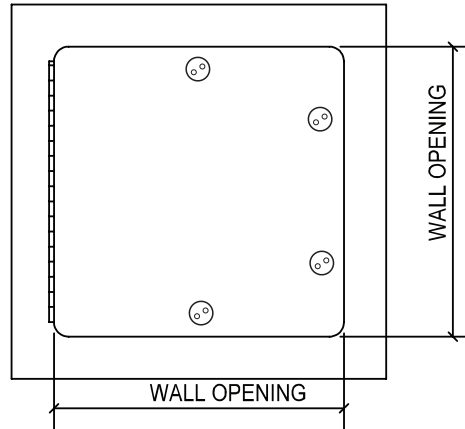


**SUBMITTAL SHEET**

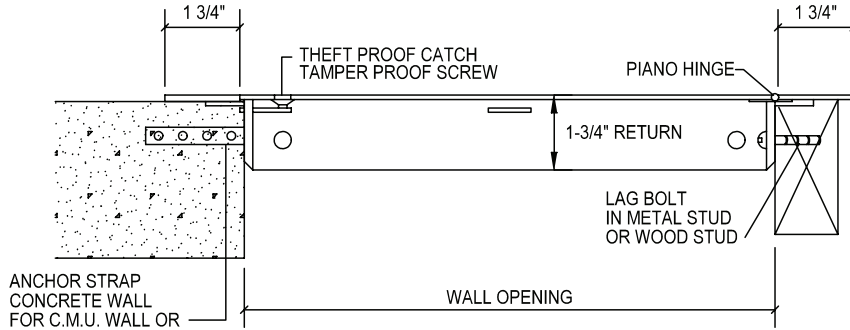
WALLS & CEILINGS



**FRONT ELEVATION**



**SECTION DETAIL**



**SPECIFICATIONS:**

- Door:** 12 ga. steel.
- Frame:** 16 ga. steel.
- Hinge:** Semi-concealed piano hinge. Allows opening to 180°.
- Anchors:** Heavy steel, welded to frame.
- Lock:** Counter sunk tamperproof screws
- Finish:** Primed grey baked enamel

**OPTIONS (at additional cost)**

- Finishes:**
- Stainless Steel Type 304 No. 4 Satin Finish Brushed
  - Stainless Steel Type 316 No. 4 Satin Finish Brushed
- Options: (additional cost)**
- Mortise Best lock and locks by others
  - WB 151 keycode cylinder lock
  - Weather resistive neoprene gasket all 4 sides (Closed cell sponge, blend of Neoprene/EPDM/SBR. Meets ASTM D-1056: SCE 41, RE 41, 2A1; substrate UL 94HF-1 recognized)
  - Special sizes available
  - \_\_\_\_\_

✓	Item No.	Door Size W x H	Wall Opening	Tamper Proof Screws	Ship Wt. Lbs.
	MD SEC 1000	12 x 12	12 1/4 x 12 1/4	3	22
	MD SEC 1000	16 x 16	16 1/4 x 16 1/4	3	31
	MD SEC 1000	18 x 18	18 1/4 x 18 1/4	3	36
	MD SEC 1000	24 x 24	24 1/4 x 24 1/4	4	52
	MD SEC 1000	24 x 36	24 1/4 x 36 1/4	4	73
	MD SEC 1000	36 x 36	36 1/4 x 36 1/4	5	103
	WB-23	Snake eye screwdriver			

A special snake eye screwdriver is required to open this door



**WB-23**

This door assures medium security whenever it is necessary under institutional conditions. Most detention buildings and mental care facilities require access to vital services in or behind walls, shafts and stairwells.

Project: \_\_\_\_\_ Date: \_\_\_\_\_  
 Contractor: \_\_\_\_\_ Architect: \_\_\_\_\_  
 Sizes: \_\_\_\_\_ Quantity: \_\_\_\_\_ App Initials: \_\_\_\_\_

Corp Off: 1330 Progress Drive • Front Royal, VA 22630 • Phone: 1-800-255-5515 • Fax: 1-800-822-5001 [www.wbdoors.com](http://www.wbdoors.com)

**RELATED PRODUCTS**

**WB HG SEC 1100 Series High Security Access Door**

